



4" TILE SAW WITH WET TRAY

Model 3733

SET UP AND OPERATING INSTRUCTIONS



Please Note: Diamond Blade not included, sold separately.

Visit our website at: <http://www.harborfreight.com>



**Read this material before using this product.
Failure to do so can result in serious injury.
SAVE THIS MANUAL.**

Copyright© 2002, 2009 by Harbor Freight Tools®. All rights reserved. No portion of this manual or any artwork contained herein may be reproduced in any shape or form without the express written consent of Harbor Freight Tools. Diagrams within this manual may not be drawn proportionally. Due to continuing improvements, actual product may differ slightly from the product described herein.

For technical questions or replacement parts, please call 1-800-444-3353.

Revised Manual 09I

SAVE THIS MANUAL

Keep this manual for the safety warnings and precautions, assembly, operating, inspection, maintenance and cleaning procedures. Write the product's serial number in the back of the manual near the assembly diagram (or month and year of purchase if product has no number). Keep this manual and the receipt in a safe and dry place for future reference.

IMPORTANT SAFETY INFORMATION

In this manual, on the labeling, and all other information provided with this product:



This is the safety alert symbol. It is used to alert you to potential personal injury hazards. Obey all safety messages that follow this symbol to avoid possible injury or death.

DANGER

DANGER indicates a hazardous

situation which, if not avoided, will result in death or serious injury.

WARNING

WARNING indicates a

hazardous situation which, if not avoided, could result in death or serious injury.

CAUTION

CAUTION, used with the safety

alert symbol, indicates a hazardous situation which, if not avoided, could result in minor or moderate injury.

NOTICE

NOTICE is used to address practices not related to personal injury.

CAUTION

CAUTION, without the safety alert symbol, is used to address practices not related to personal injury.

General Power Tool Safety Warnings



WARNING Read all safety warnings and instructions.

Failure to follow the warnings and instructions may result in electric shock, fire and/or serious injury.

Save all warnings and instructions for future reference.

The term "power tool" in the warnings refers to your mains-operated (corded) power tool or battery-operated (cordless) power tool.

1. **Work area safety**
 - a. **Keep work area clean and well lit.** *Cluttered or dark areas invite accidents.*
 - b. **Do not operate power tools in explosive atmospheres, such as in the presence of flammable liquids, gases or dust.** *Power tools create sparks which may ignite the dust or fumes.*
 - c. **Keep children and bystanders away while operating a power tool.** *Distractions can cause you to lose control.*
2. **Electrical safety**
 - a. **Power tool plugs must match the outlet. Never modify the plug in any way. Do not use any adapter**

plugs with grounded power tools. *Unmodified plugs and matching outlets will reduce risk of electric shock.*

- b. **Avoid body contact with grounded surfaces such as pipes, radiators, ranges and refrigerators.** *There is an increased risk of electric shock if your body is grounded.*
 - c. **Do not expose power tools to rain or wet conditions.** *Water entering a power tool will increase the risk of electric shock.*
 - d. **Do not abuse the cord. Never use the cord for carrying, pulling or unplugging the power tool. Keep cord away from heat, oil, sharp edges or moving parts.** *Damaged or entangled cords increase the risk of electric shock.*
 - e. **When operating a power tool outdoors, use an extension cord suitable for outdoor use.** *Use of a cord suitable for outdoor use reduces the risk of electric shock.*
 - f. **If operating a power tool in a damp location is unavoidable, use a Ground Fault Circuit Interrupter (GFCI) protected supply.** *Use of a GFCI reduces the risk of electric shock.*
3. **Personal safety**
- a. **Stay alert, watch what you are doing and use common sense when operating a power tool. Do not use a power tool while you are tired or under the influence of drugs, alcohol or medication.** *A moment of inattention while operating power tools may result in serious personal injury.*
 - b. **Use safety equipment. Always wear ANSI-approved eye protection.** *Safety equipment such as dust mask, non-skid safety shoes, hard hat, or hearing protection used for appropriate conditions will reduce personal injuries.*
- c. **Keep guards in place and in good working order.**
- d. **Prevent unintentional starting.** **Ensure the switch is in the off-position before connecting to power source and/or battery pack, picking up or carrying the tool.** *Carrying power tools with your finger on the switch or energizing power tools that have the switch on invites accidents.*
- e. **Remove any adjusting key or wrench before turning the power tool on.** *A wrench or a key left attached to a rotating part of the power tool may result in personal injury.*
- f. **Do not overreach. Keep proper footing and balance at all times.** *This enables better control of the power tool in unexpected situations.*
- g. **Dress properly. Do not wear loose clothing or jewelry. Keep your hair, clothing and gloves away from moving parts.** *Loose clothes, jewelry or long hair can be caught in moving parts.*
- h. **If devices are provided for the connection of dust extraction and collection facilities, ensure these are connected and properly used.** *Use of these devices can reduce dust-related hazards.*
4. **Power tool use and care**
- a. **Do not force the power tool. Use the correct power tool for your application.** *The correct power tool will*

do the job better and safer at the rate for which it was designed.

- b. **Do not use the power tool if the switch does not turn it on and off.** *Any power tool that cannot be controlled with the switch is dangerous and must be repaired.*
- c. **Disconnect the plug from the power source and/or the battery pack from the power tool before making any adjustments, changing accessories, or storing power tools.** *Such preventive safety measures reduce the risk of starting the power tool accidentally.*
- d. **Store idle power tools out of the reach of children and do not allow persons unfamiliar with the power tool or these instructions to operate the power tool.** *Power tools are dangerous in the hands of untrained users.*
- e. **Maintain power tools. Check for misalignment or binding of moving parts, breakage of parts and any other condition that may affect the power tool's operation. If damaged, have the power tool repaired before use.** *Many accidents are caused by poorly maintained power tools.*
- f. **Keep cutting tools sharp and clean.** *Properly maintained cutting tools with sharp cutting edges are less likely to bind and are easier to control.*
- g. **Use the power tool, accessories and tool bits etc. in accordance with these instructions, taking into account the working conditions and the work to be performed.** *Use of the power tool for operations differ-*

ent from those intended could result in a hazardous situation.

5. Service

- a. **Have your power tool serviced by a qualified repair person using only identical replacement parts.** *This will ensure that the safety of the power tool is maintained.*

Vibration Safety

This tool vibrates during use. Repeated or long-term exposure to vibration may cause temporary or permanent physical injury, particularly to the hands, arms and shoulders. To reduce the risk of vibration-related injury:

- 1. Anyone using vibrating tools regularly or for an extended period should first be examined by a doctor and then have regular medical check-ups to ensure medical problems are not being caused or worsened from use. Pregnant women or people who have impaired blood circulation to the hand, past hand injuries, nervous system disorders, diabetes, or Raynaud's Disease should not use this tool. If you feel any medical or physical symptoms related to vibration (such as tingling, numbness, and white or blue fingers), seek medical advice as soon as possible.
- 2. Do not smoke during use. Nicotine reduces the blood supply to the hands and fingers, increasing the risk of vibration-related injury.
- 3. Wear suitable gloves to reduce the vibration effects on the user.

4. Use tools with the lowest vibration when there is a choice between different processes.
5. Include vibration-free periods each day of work.
6. Grip tool as lightly as possible (while still keeping safe control of it). Let the tool do the work.
7. To reduce vibration, maintain the tool as explained in this manual. If any abnormal vibration occurs, stop use immediately.
6. **Do not handle the Power Switch (4) with wet hands.**
7. **Make sure the Tile Saw is located on a flat, level, sturdy surface capable of supporting the weight of the Saw and work pieces.**
8. **Always use Diamond Saw Blades (67113 4" Continuous Rim Diamond Blade not included, sold separately) with a 4" diameter, 5/8" round arbor hole, and rated at 4480 RPM or greater.**

SPECIFIC SAFETY WARNINGS

1. **Maintain labels and nameplates on the Tile Saw.** These carry important information. If unreadable or missing, contact Harbor Freight Tools for a replacement.
2. **Use the right product for the right job.** There are certain applications for which this product was designed. Do not use small equipment, tools, or attachments to do the work of larger industrial equipment, tools, or attachments. Do not use this product for a purpose for which it was not intended.
3. **This product must continuously run with cold water.** Dry running will cause serious damage to the Pump seals.
4. **WARNING! Keeps hands and fingers away from cutting area and Saw Blade.**
5. **Check Blade Guard for proper forward/backward movement before each use.** Do not operate the Tile Saw if the Blade Guard does not move freely. Make sure the Blade Guard moves freely and does not touch the Saw Blade or any other part of the Saw, in all angles and depths of cut.
9. **Use the Tile Saw only for cutting dry or wet ceramic tile, quarry tile, marble, terra-cotta, and slate with a maximum thickness 1-1/16".**
10. **Do not use the Tile Saw for cutting metals or for cutting curves.** This may cause the Saw Blade to break and/or reduce its service life.
11. **Make sure the Saw Blade is wet at all times when cutting.**
12. **To reduce the risk of electrocution, keep all connections dry and off the ground.** Do not touch plug with wet hands. Ground Fault Circuit Interrupter (GFCI) protection should be provided on the circuit(s) or outlet(s) to be used for the tile saw (GFCI is not included in this machinery). Receptacles are available having built-in GFCI protection and may be used for this measure of safety.

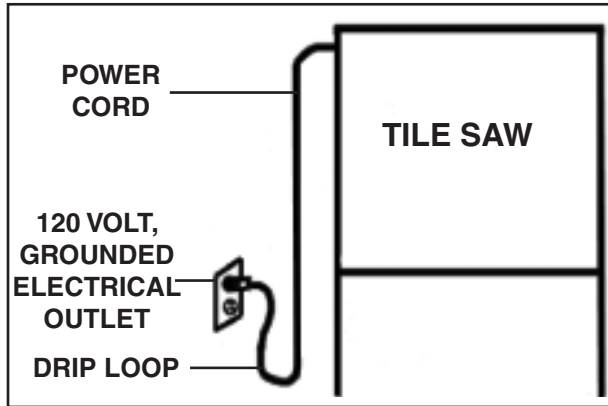


Figure 1

13. **Always arrange a “drip loop” in the Power Cord (11) connecting the Tile Saw to a 120 volt, grounded, electrical outlet.** A drip loop is that part of the Power Cord below the level of the outlet, or the connector if an extension cord is used, to prevent water traveling along the Power Cord and coming in contact with the outlet. If the Power Plug or electrical outlet *does* get wet, do not unplug the Power Cord. Disconnect the fuse or circuit breaker that supplies power to the tool. Then, unplug and examine for presence of water in the outlet. See Figure 1, above.
14. **Use cold water only. Never use hot water.** Using hot water can damage the Pump seals.
15. **Never run the Tile Saw without a water supply.** Running the unit without a water supply will cause irreparable damage to the Pump.
16. **Make sure the water supply used for the Tile Saw is not dirty, sandy, and does not contain any corrosive chemical products.**
17. **Make sure to change the water when necessary while in use and rinse out the Tub after every use.**
18. **Never leave the Tile Saw unattended when it is plugged into an electrical outlet.** Turn off the Tile Saw, and unplug it from its electrical outlet.
19. **Always keep the water level at the recommended level.** Fill the tray in the Body (19) until it is about 3/4 completely submerged, but do not overfill.
20. **Avoid splashing water on the Motor (32), Power Switch, Power Cord/Plug, or any other electrical component.** Make sure to stand on a dry, insulated surface such as a rubber mat while using the Tile Saw.
21. **To avoid accidental injury, always wear heavy duty work gloves when changing the Saw Blade.** Before using the Tile Saw, make sure the Saw Blade is properly and securely mounted on the Saw Spindle. Make sure the Saw Blade is balanced, and is not cracked or bent.
22. **The Saw Blade will become hot while cutting.** Allow the Saw Blade to completely cool before handling.
23. **Allow the Saw Blade to spin up to full speed before feeding a work piece into it.** When turning off the Tile Saw, allow the Saw Blade to spin down and stop on its own. Do not press against the Saw Blade to stop it.
24. **Do not force the Saw Blade into the work piece when cutting.** Apply moderate pressure, allowing the Saw Blade to cut without being forced.
25. **Turn off the Tile Saw and allow the Saw Blade to stop on its own if the Saw Blade is to be backed out of an uncompleted cut.**

26. **Never attempt to remove material stuck in the moving parts of the Tile Saw while it is plugged in and running.**
27. **When cutting a large work piece make sure its entire length is properly supported.** If necessary, use a roller stand (not included) with larger work pieces.
28. **Never lean on the Tile Saw.** Serious injury could result if the Tile Saw is tipped or if the rotating Saw Blade is accidentally contacted.
29. **Industrial applications must follow OSHA requirements.**
30. **For your safety: In extreme working conditions, sensors in the Tile Saw will automatically switch off the Motor to prevent overheating.** In this event, turn the Power Switch to its "OFF" position. Wait five minutes or until the Motor has cooled. Making sure your hands are dry, depress the Circuit Breaker. Then, turn the Power Switch to its "ON" position to resume cutting.
31. **Never attempt to cut more than one tile at a time.**
32. **Never attempt to cut freehand.** Make sure the tile to be cut is pressed firmly against the Rip Fence (7).
33. **Never cut pieces too small to be held securely against the Cutting Guide without leaving enough space for the hand to be a safe distance from the Saw Blade.**
34. **Make sure the tile to be cut off has sufficient room to move sideways.** Failure to do so may result in the tile binding against the Saw Blade.
35. **Make sure the Table and surrounding area are clear with the exception of the tile to be cut.**
36. **Always turn off the Tile Saw and unplug it from its electrical outlet before changing accessories or performing any inspection, maintenance, or cleaning procedures.**
37. **WARNING!** Some dust created by power sanding, sawing, grinding, drilling, and other construction activities, contain chemicals known (to the State of California) to cause cancer, birth defects or other reproductive harm. Some examples of these chemicals are: lead from lead-based paints, crystalline silica from bricks and cement and other masonry products, arsenic and chromium from chemically treated lumber. Your risk from these exposures varies, depending on how often you do this type of work. To reduce your exposure to these chemicals: work in well ventilated areas, and work with approved safety equipment such as those dust masks that are specially designed to filter out microscopic particles. (California Health & Safety Code § 25249.5, *et seq.*)
38. **WARNING!** People with pacemakers should consult their physician(s) before using this product. Operation of electrical equipment in close proximity to a heart pacemaker could cause interference or failure of the pacemaker.
39. **WARNING!** The warnings and cautions discussed in this manual cannot cover all possible conditions and

situations that may occur. It must be understood by the operator that common sense and caution are factors which cannot be built into this product, but must be supplied by the operator.

Abrasive Cutting-Off Operation Safety Warnings

1. **This power tool is intended to function as a cut-off tool. Read all safety warnings, instructions, illustrations and specifications provided with this power tool.** Failure to follow all instructions listed below may result in electric shock, fire and/or serious injury.
2. **DO NOT EXPOSE TO RAIN OR USE IN DAMP LOCATIONS.**
3. Specific Cautions:
 - a. Wear ANSI-Approved eye protection.
 - b. Use splash hood for every operation for which it can be used.
 - c. Disconnect saw before servicing, when changing cutting wheel and cleaning.
 - d. Use only with smooth-edge cutting wheels, free of openings and grooves.
 - e. Replace damaged cutting wheel before operating.
4. **Operations such as grinding, sanding, wire brushing, polishing are not recommended to be performed with this power tool.** Operations for which the power tool was not designed may create a hazard and cause personal injury.
5. **Do not attempt to free a stalled blade without turning the Tile Saw OFF first.** If the blade stalls, turn the power switch to the OFF position immediately to prevent damage to the motor.
6. **Do not use accessories which are not specifically designed and recommended by the tool manufacturer.** Just because the accessory can be attached to your power tool, it does not assure safe operation.
7. **The rated speed of the accessory must be at least equal to the maximum speed marked on the power tool.** Accessories running faster than their RATED SPEED can break and fly apart.
8. **The outside diameter and the thickness of your accessory must be within the capacity rating of your power tool.** Incorrectly sized accessories cannot be adequately guarded or controlled.
9. **Wear personal protective equipment. Depending on application, use face shield, safety goggles or safety glasses. As appropriate, wear dust mask, hearing protectors, gloves and workshop apron capable of stopping small abrasive or workpiece fragments.** The eye protection must be capable of stopping flying debris generated by various operations such as safely goggles or glasses. The dust mask or respirator must be capable of filtering particles generated by your operation. Prolonged exposure to high intensity noise may cause hearing loss.
10. **Keep bystanders a safe distance away from work area. Anyone entering the work area must wear personal protective equipment.**

Fragments of workpiece or of a broken accessory may fly away and cause injury beyond immediate area of operation.

11. **Position the cord clear of the spinning blade.** If you lose control, the cord may be cut or snagged and your hand or arm may be pulled into the spinning accessory. Avoid unintentional starting. Prepare to begin work before turning on the tool.
12. **Do not leave the tool unattended when it is plugged into an electrical outlet.** Turn off the tool, and unplug it from its electrical outlet before leaving.
13. **This product is not a toy.** Keep it out of reach of children.
14. **People with pacemakers should consult their physician(s) before use.** Electromagnetic fields in close proximity to heart pacemaker could cause pacemaker interference or pacemaker failure. In addition, people with pacemakers should:
 - Avoid operating alone.
 - Do not use with power switch locked on.
 - Properly maintain and inspect to avoid electrical shock.
 - Any power cord must be properly grounded. Ground Fault Circuit Interrupter (GFCI) should also be implemented – it prevents sustained electrical shock.
15. **Some dust created by power sanding, sawing, grinding, drilling, and other construction activities, contains chemicals known [to the State of California] to cause cancer, birth defects or other reproductive harm.** Some examples of

these chemicals are:

- Lead from lead-based paints
- Crystalline silica from bricks and cement or other masonry products
- Arsenic and chromium from chemically treated lumber

Your risk from these exposures varies, depending on how often you do this type of work. To reduce your exposure to these chemicals: work in a well ventilated area, and work with approved safety equipment, such as those dust masks that are specially designed to filter out microscopic particles. (California Health & Safety Code § 25249.5, *et seq.*)

16. **WARNING:** Handling the cord on this product will expose you to lead, a chemical known to the State of California to cause cancer, and birth defects or other reproductive harm. Wash hands after handling. (California Health & Safety Code § 25249.5, *et seq.*)
17. **The warnings, precautions, and instructions discussed in this instruction manual cannot cover all possible conditions and situations that may occur.** It must be understood by the operator that common sense and caution are factors which cannot be built into this product, but must be supplied by the operator.



SAVE THESE INSTRUCTIONS.

GROUNDING

⚠️ WARNING TO PREVENT ELECTRIC SHOCK



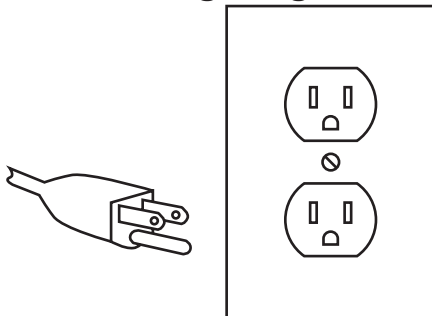
AND DEATH FROM INCORRECT GROUNDING WIRE CONNECTION:

Check with a qualified electrician if you are in doubt as to whether the outlet is properly grounded. Do not modify the power cord plug provided with the tool. Never remove the grounding prong from the plug. Do not use the tool if the power cord or plug is damaged. If damaged, have it repaired by a service facility before use. If the plug will not fit the outlet, have a proper outlet installed by a qualified electrician.

low resistance path to carry electricity away from the user, reducing the risk of electric shock. (See 3-Prong Plug and Outlet.)

3. The grounding prong in the plug is connected through the green wire inside the cord to the grounding system in the tool. The green wire in the cord must be the only wire connected to the tool's grounding system and must never be attached to an electrically "live" terminal. (See 3-Prong Plug and Outlet.)
4. The tool must be plugged into an appropriate outlet, properly installed and grounded in accordance with all codes and ordinances. The plug and outlet should look like those in the preceding illustration. (See 3-Prong Plug and Outlet.)

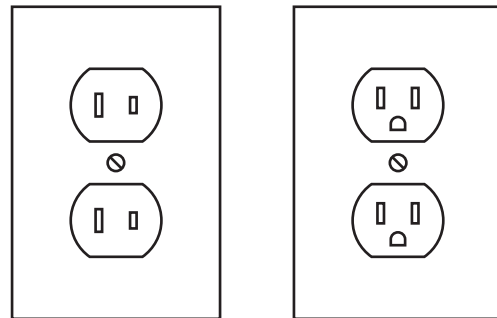
Grounded Tools: Tools with Three Prong Plugs



3-Prong Plug and Outlet

1. This Tile Saw comes with a 3-prong power cord.
2. Tools marked with "Grounding Required" have a three wire cord and three prong grounding plug. The plug must be connected to a properly grounded outlet. If the tool should electrically malfunction or break down, grounding provides a

Double Insulated Tools: Tools with Two Prong Plugs



Outlets for 2-Prong Plug

1. Tools marked "Double Insulated" do not require grounding. They have a special double insulation system which satisfies OSHA requirements and complies with the applicable standards of Underwriters Laboratories, Inc., the Canadian Standard Association, and the National Electrical Code. (See Outlets for 2-Prong Plug.)

- Double insulated tools may be used in either of the 120 volt outlets shown in the preceding illustration. **(See Outlets for 2-Prong Plug.)**

Extension Cords

- Grounded** tools require a three wire extension cord. **Double Insulated** tools can use either a two or three wire extension cord.
- As the distance from the supply outlet increases, you must use a heavier gauge extension cord. Using extension cords with inadequately sized wire causes a serious drop in voltage, resulting in loss of power and possible tool damage. **(See Table A.)** The smaller the gauge number of the wire, the greater the capacity of the cord. For example, a 14 gauge cord can carry a higher current than a 16 gauge cord. **(See Table A.)**
- When using more than one extension cord to make up the total length, make sure each cord contains at least the minimum wire size required. **(See Table A.)**
- If you are using one extension cord for more than one tool, add the nameplate amperes and use the sum to determine the required minimum cord size. **(See Table A.)**
- If you are using an extension cord outdoors, make sure it is marked with the suffix "W-A" ("W" in Canada) to indicate it is acceptable for outdoor use.
- Make sure the extension cord is properly wired and in good electrical condition. Always replace a damaged







extension cord or have it repaired by a qualified electrician before using it.

- Protect the extension cords from sharp objects, excessive heat, and damp or wet areas.

RECOMMENDED MINIMUM WIRE GAUGE FOR EXTENSION CORDS* (120/240 VOLT)					
NAMEPLATE AMPERES (at full load)	EXTENSION CORD LENGTH				
	25'	50'	75'	100'	150'
0 – 2.0	18	18	18	18	16
2.1 – 3.4	18	18	18	16	14
3.5 – 5.0	18	18	16	14	12
5.1 – 7.0	18	16	14	12	12
7.1 – 12.0	18	14	12	10	-
12.1 – 16.0	14	12	10	-	-
16.1 – 20.0	12	10	-	-	-

TABLE A * Based on limiting the line voltage drop to five volts at 150% of the rated amperes.

Symbology

	Double Insulated
	Canadian Standards Association
	Underwriters Laboratories, Inc.
	Volts Alternating Current
	Amperes
	No Load Revolutions per Minute (RPM)

SPECIFICATIONS

Blade Diameter (Blade Not Included, Sold Separately)	4" (67113 4" Continuous Rim Diamond Blade Recommended)
Arbor Diameter	5/8"
Maximum Cutting Capacity	1-1/16"
Electrical Requirements	120 V~ / 60 Hz
Tilting Head	22.5° to 45° Bevel
Blade Rated Speed	4480 RPM

UNPACKING

When unpacking, check to make sure that the item is intact and undamaged. If any parts are missing or broken, please call Harbor Freight Tools at the number shown on the cover of this manual as soon as possible.

INSTRUCTIONS FOR PUTTING INTO USE



Read the **ENTIRE IMPORTANT SAFETY INFORMATION** section at the beginning of this manual including all text under subheadings therein before set up or use of this product.

WARNING

**TO PREVENT
SERIOUS INJURY**

**FROM ACCIDENTAL
OPERATION:**

Turn the Power Switch of the tool to its "OFF" position and unplug the tool from its electrical outlet before assembling or making any adjustments to the tool.

Note: The Tile Saw features a built-in water supply that keeps its Tile Saw Blade cool, reduces dust and debris,

and is easy to clean. Its efficient design returns water directly to the reservoir and is accurate enough for most ceramic tile, quarry tile, marble, terra cotta, and slate jobs.

ASSEMBLY

To Install The 4" Diamond Tile Saw

Blade:

1. **WARNING! Make sure the Power Switch (4) of the Tile Saw is in its "OFF" position and its Power Cord (11) is unplugged from the electrical outlet prior to performing any assembly.**
2. Remove the Screw (16) that holds the Table (1) in place and left the Table until the three catches at its midsection clear the Table's underside. Then remove table completely. (See Figure 2, next page.)
3. Remove the Nut (37) attached to the Motor (32) arbor. Then remove the Outer Flange (36). See Figure 3, next page.)
4. **WARNING! Install Blade (67113 4" Continuous Rim Diamond Blade is sold separately) with directional arrow visible from Water Tray side.** Slide Blade in and up from the underside slot in the Table, then over arbor and rear hub flange. (See Figure 3.)
5. Attach Outer Flange and secure Nut over arbor. Turn Nut clockwise until tight. Do not overtighten. (See Figure 3.)
6. Disconnect Guard Stand (24) from Guard Assembly. Slide Stand's unthreaded end through slot under

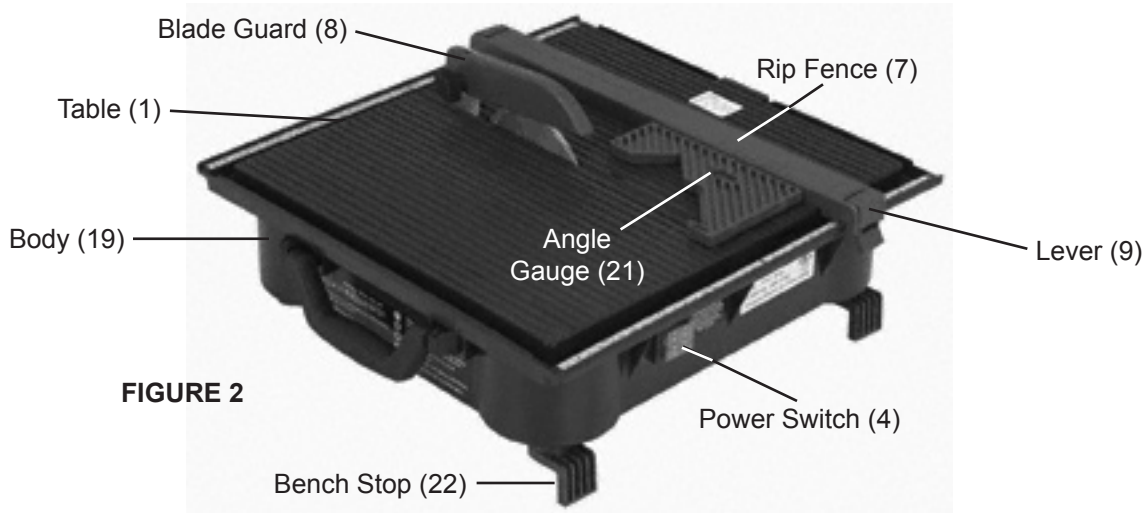


FIGURE 2

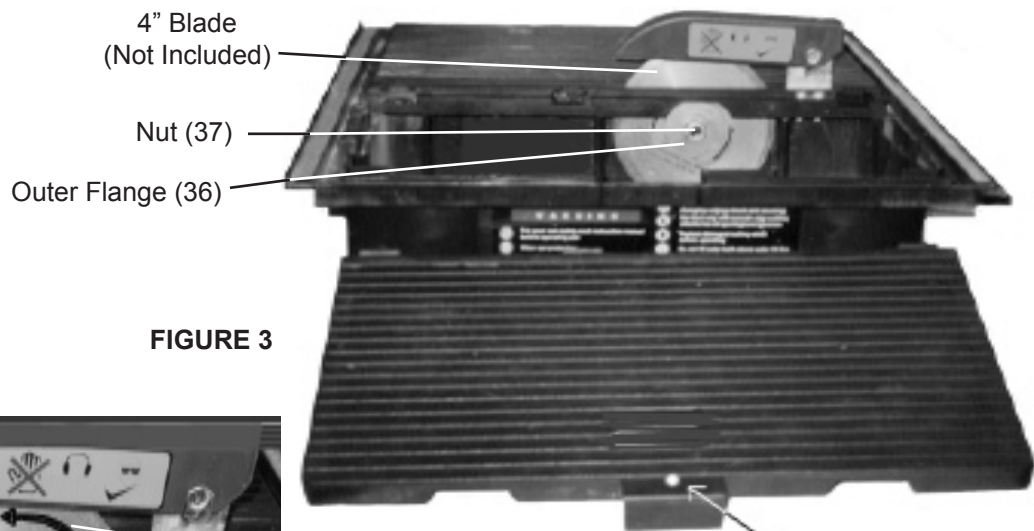
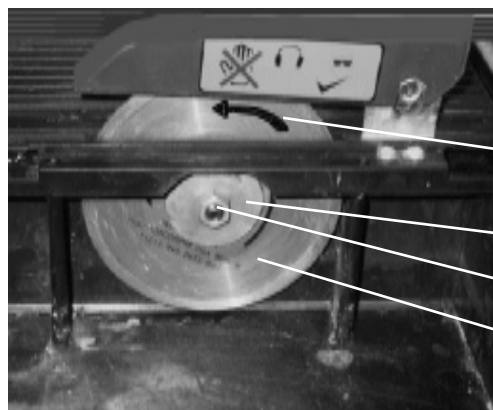


FIGURE 3



Remove Screw (16) to Remove Table (1)

Table (adjacent to Blade slot) and tighten.

7. Reinstall the Table and secure it in place with the Screw (16).

OPERATING INSTRUCTIONS



Read the **ENTIRE IMPORTANT SAFETY INFORMATION** section at the beginning of this manual including all text under subheadings therein before set up or use of this product.

Tool Set Up



WARNING TO PREVENT SERIOUS INJURY FROM ACCIDENTAL OPERATION: Turn the Power Switch of the tool to its “OFF” position and unplug the tool from its electrical outlet before performing any inspection, maintenance, or cleaning procedures.

1. Place Tile Saw on a flat and level surface. Use carpenter’s level (not supplied) to make any necessary leveling adjustments by inserting shims (not included). Slide Bench Stops (22) over plastic stands to secure Tile Saw against table or bench edge.
2. Use clamp (not included) to secure and support smaller work pieces to the built-in fence. Holding work by hand or against your body is unstable and may lead to loss of control.
3. Do not force tool. Use the correct tool for your application. The

correct tool will do the job better and safer at rate for which it is designed.

4. **Do not use the power tool if the Power Switch does not turn it on or off.** Any tool that cannot be controlled with the Power Switch is dangerous and must be replaced.
5. **Disconnect Power Cord Plug from the power source before making any adjustments, changing accessories, or storing the tool.** Such preventive safety measures reduce risk of starting the tool accidentally.
6. **Store idle tools out of reach of children and other untrained persons.** Tools are dangerous in the hands of untrained users.
7. **Maintain tools with care. Keep tools clean.** Properly maintained tools are easier to control. Do not use a damaged tool. Tag damaged tools “Do not use” until repaired.
8. **Check for misalignment or binding of moving parts, breakage of parts, and any other condition that may affect the tool’s operation. If damaged, have the tool serviced before using.** Many accidents are caused by poorly maintained tools.
9. **Use only accessories that are recommended by the manufacturer for your tool.** Accessories suitable for one tool may become hazardous when used on another tool.

Work Piece and Work Area Set Up

1. **Designate a work area that is clean and well lit.** The work area must not allow access by children or pets to prevent injury and distraction.

2. **Route the power cord along a safe route to reach the work area without creating a tripping hazard or exposing the power cord to possible damage.** The power cord must reach the work area with enough extra length to allow free movement while working.
3. **Secure loose work pieces using clamps (not included) to prevent movement while working.**
4. Reinstall Table and secure it in place with the Screw (16).
5. Adjust the Rip Fence (7) to the width of cut desired. To do so, lift up on each Lever (9) located at each end of the Rip Fence. Slide the Rip Fence to the right or left until the desired width of cut is obtained. Then, lock the Rip Fence in place by pressing down on each Lever. **CAUTION!** Keep fingers clear of Levers.

General Operating Instructions

To Make Straight Cuts:

1. Remove the Screw. Then remove the Table from the Tile Saw unit.
2. Fill the Body (19) with water. Be sure to use cold, clean water.
3. **WARNING! Make sure water level is high enough to cover lower edge of Tile Saw Blade (sold separately, not included), but *not* above max water level as indicated by arrow. The Blade's edge must be submerged in water at all times. See Figure 4, below.**
4. Plug the Power Cord (11) into a grounded, 120 Volt electrical outlet.
5. Turn the Power Switch (4) to its "ON" position, and allow the Blade to spin up to full speed.
6. **NOTE:** Make sure the Blade is picking up water from the Body of the unit. If not, turn the Power Switch to its "OFF" position, and unplug the Power Cord from its electrical outlet. Then, check the water level.
7. Once the proper water level is acquired, plug the Power Cord into its electrical outlet and turn the Power Switch to its "ON" position.
8. Place the workpiece to be cut against the Rip Fence (7), and then *slowly* feed the workpiece into the spinning Blade.
9. When finished making the cut, turn the Power Switch (4) to its "OFF" position and unplug the Power Cord (11) from its electrical outlet.

Fill With Water As Indicated By Arrow
DO NOT OVERFILL

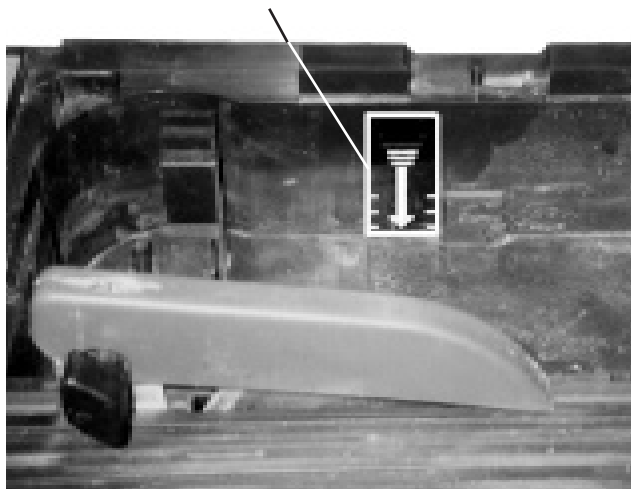


FIGURE 4

To Make Beveled Cuts:

1. Remove the Screw. Then, remove the Table from the Tile Saw unit.

2. Fill the Body with water. **CAUTION: Make sure the water level is high enough to cover the lower edge of the Blade but *not* above the maximum water level as indicated by the arrow.**
3. **NOTE:** The Table may be tilted to make **22.5 Degree** or a **45 Degree** beveled cuts. To do so, extend the two Legs (29) underneath the Table. Place the legs into upper or lower sections of the supports to achieve the desired bevel.

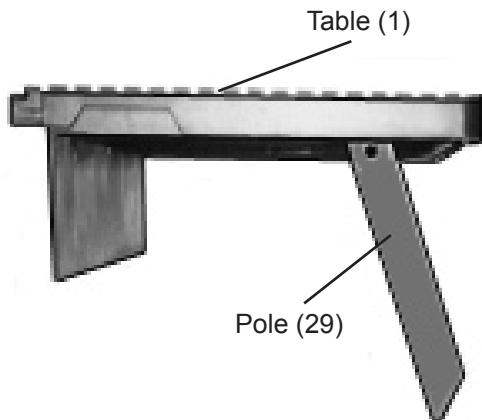


FIGURE 5

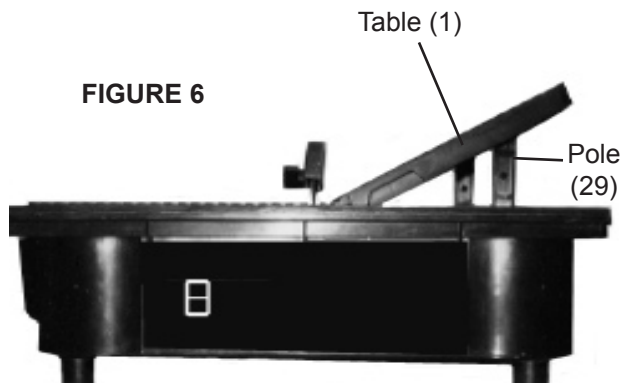


FIGURE 6

4. Place the workpiece to be cut against the Rip Fence (7), and *slowly* feed the workpiece into the Blade.
5. When finished making the beveled cut, turn the Power Switch to its OFF”

position and unplug the Power Cord from its electrical outlet.

To Make Mitered Cuts:

1. To make a mitered cut, place the Angle Gauge (21) against the Rip Fence (7). Then position the workpiece against the Angle Gauge, and *slowly* feed the workpiece into the Blade.
2. When finished making the angled cut, turn the Power Switch to its “OFF” position and unplug the Power Cord from its electrical outlet

MAINTENANCE AND SERVICING



Procedures not specifically explained in this manual must be performed only by a qualified technician.

⚠️ WARNING

TO PREVENT SERIOUS INJURY

FROM ACCIDENTAL OPERATION:

Turn the Power Switch of the tool to its “OFF” position and unplug the tool from its electrical outlet before performing any inspection, maintenance, or cleaning procedures.

TO PREVENT SERIOUS INJURY FROM TOOL FAILURE:

Do not use damaged equipment. If abnormal noise or vibration occurs, have the problem corrected before further use.

Cleaning, Maintenance, and Lubrication

1. **BEFORE EACH USE**, inspect the general condition of the tool. Check for loose screws, misalignment or binding of moving parts, cracked or broken parts, damaged electrical wiring, loose or worn out blade, and any other condition that may affect its safe operation.
 2. **AFTER USE**, clean external surfaces of the tool with clean cloth. Drain water from the water tray and wash out any residue from the recessed pump sump area.
 3. **Tool service must be performed only by qualified repair personnel.** Service or maintenance performed by unqualified personnel could result in a risk of injury.
 4. **When servicing a tool, use only identical replacement parts. Follow instructions in the “Inspection, Maintenance, And Cleaning”**
5. **⚠WARNING!** If the supply cord of this power tool is damaged, it must be replaced only by a qualified service technician.
 6. **To clean:** Wipe with a damp cloth, vacuum or use compressed air. Do not use solvents.
 7. **When storing:** Store Tile Saw in a safe, clean, dry, location out of reach of children.
 8. **CAUTION!** All maintenance, service, or repairs not listed in this manual are only to be attempted by a qualified service technician.

section of this manual. Use of unauthorized parts or failure to follow maintenance instructions may create a risk of electric shock or injury.

Troubleshooting

Problem	Possible Causes	Likely Solutions
Tool will not start	<ol style="list-style-type: none"> 1. No power at outlet. 2. Cord not connected. 	<ol style="list-style-type: none"> 1. Check power at outlet. 2. Check that cord is plugged in.
Blade spins slowly	<ol style="list-style-type: none"> 1. Arbor shaft binding 2. Motor brushes worn 	<ol style="list-style-type: none"> 1. Check shaft for free spinning 2. Replace brushes
Excessive vibration	<ol style="list-style-type: none"> 1. Bent or off-balance blade 2. Bent Arbor Shaft 	<ol style="list-style-type: none"> 1. Replace blade with new one 2. Check shaft for run-out
Running hot; excess smoke	<ol style="list-style-type: none"> 1. Water flow problem. 2. Not enough water 3. Running with hot/warm water 	<ol style="list-style-type: none"> 1. Check connection 2. Add proper amount of water 3. Always run with cold water



Follow all safety precautions whenever diagnosing or servicing the tool. Disconnect power supply before service.

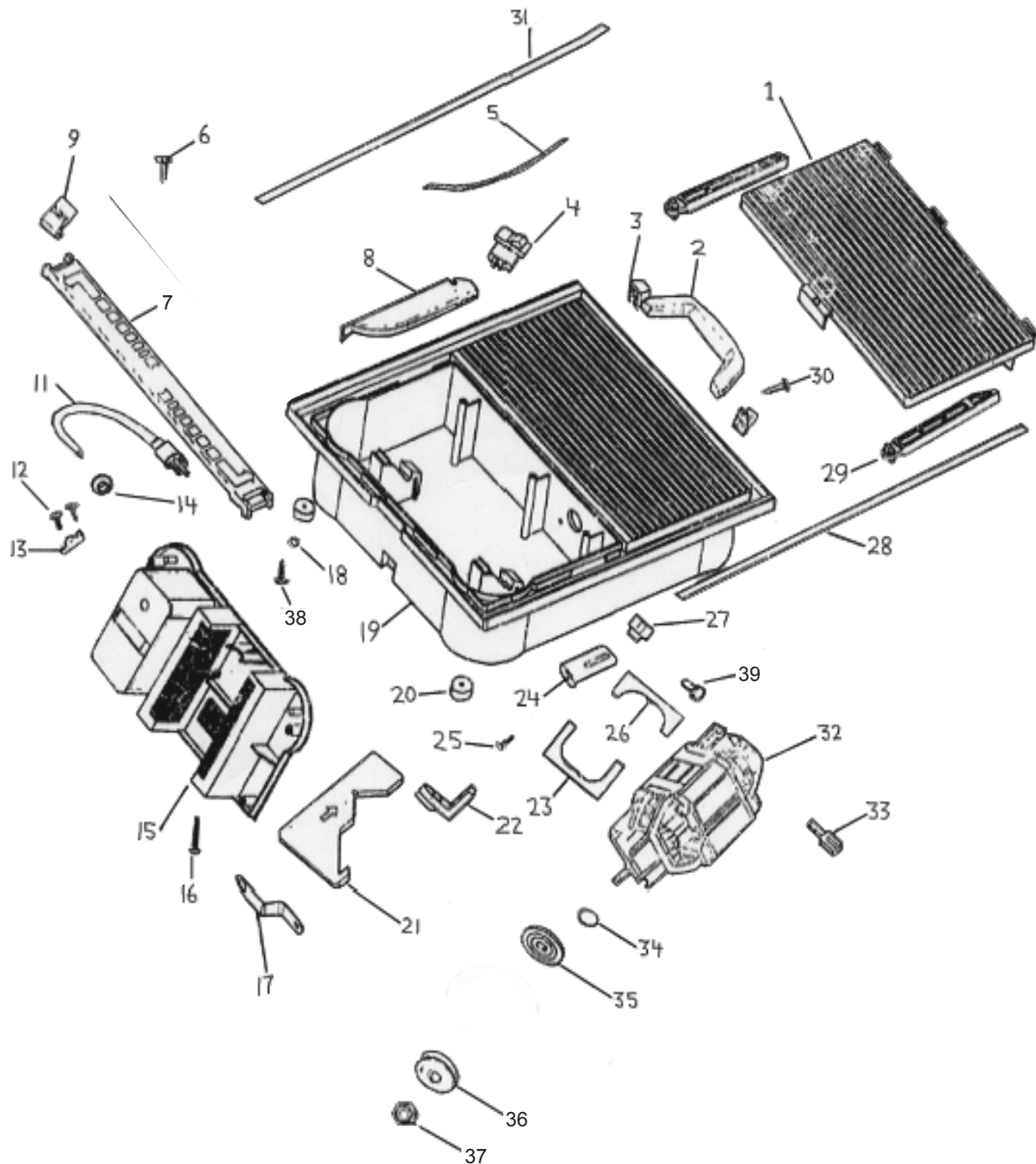
PARTS LIST

Part	Description	Qty.	Part	Description	Qty.
1	Table	1	21	Angle Gauge	1
2	Handle	1	22	Bench Stop	2
3	Handle Base	2	23	Motor Holder (Top)	1
4	Power Switch	1	24	Guard Stand	1
5	Wire	4	25	Screw (M4 x 7 x 16 mm)	2
6	Screw (M3 x 15)	4	26	Motor Holder (Bottom)	1
7	Rip Fence	1	27	Knob	1
8	Blade Guard	1	28	Small Ruler	1
9	Lever	2	29	Pole	2
11	Power Cord		30	Screw (M4 x 16)	2
12	Screw (M4 x 16)	1	31	Ruler	1
13	Cord Clamp	2	32	Motor	1
14	Cord Holder	1	33	Carbon Brush	2
15	Base Cover	1	34	Flat Washer	1
16	Screw (M4 x 20)	1	35	Inner Flange	1
17	Wrench (6 x 13 mm)	6	36	Outer Flange	1
18	Washer	1	37	Nut (M8 x 1.25)	1
19	Body	4	38	Screw (M4 x 16)	4
20	Plastic Stand	4	39	Bolt (M6 x 20)	1

PLEASE READ THE FOLLOWING CAREFULLY

THE MANUFACTURER AND/OR DISTRIBUTOR HAS PROVIDED THE PARTS DIAGRAM IN THIS MANUAL AS A REFERENCE TOOL ONLY. NEITHER THE MANUFACTURER NOR DISTRIBUTOR MAKES ANY REPRESENTATION OR WARRANTY OF ANY KIND TO THE BUYER THAT HE OR SHE IS QUALIFIED TO MAKE ANY REPAIRS TO THE PRODUCT OR THAT HE OR SHE IS QUALIFIED TO REPLACE ANY PARTS OF THE PRODUCT. IN FACT, THE MANUFACTURER AND/OR DISTRIBUTOR EXPRESSLY STATES THAT ALL REPAIRS AND PARTS REPLACEMENTS SHOULD BE UNDERTAKEN BY CERTIFIED AND LICENSED TECHNICIANS AND NOT BY THE BUYER. THE BUYER ASSUMES ALL RISK AND LIABILITY ARISING OUT OF HIS OR HER REPAIRS TO THE ORIGINAL PRODUCT OR REPLACEMENT PARTS THERETO, OR ARISING OUT OF HIS OR HER INSTALLATION OF REPLACEMENT PARTS THERETO.

ASSEMBLY DIAGRAM



Record Product's Serial Number Here: _____

Note: If product has no serial number, record month and year of purchase instead.

Note: Some parts are listed and shown for illustration purposes only, and are not available individually as replacement parts.

LIMITED 90 DAY WARRANTY

Harbor Freight Tools Co. makes every effort to assure that its products meet high quality and durability standards, and warrants to the original purchaser that this product is free from defects in materials and workmanship for the period of 90 days from the date of purchase. This warranty does not apply to damage due directly or indirectly, to misuse, abuse, negligence or accidents, repairs or alterations outside our facilities, criminal activity, improper installation, normal wear and tear, or to lack of maintenance. We shall in no event be liable for death, injuries to persons or property, or for incidental, contingent, special or consequential damages arising from the use of our product. Some states do not allow the exclusion or limitation of incidental or consequential damages, so the above limitation of exclusion may not apply to you. THIS WARRANTY IS EXPRESSLY IN LIEU OF ALL OTHER WARRANTIES, EXPRESS OR IMPLIED, INCLUDING THE WARRANTIES OF MERCHANTABILITY AND FITNESS.

To take advantage of this warranty, the product or part must be returned to us with transportation charges prepaid. Proof of purchase date and an explanation of the complaint must accompany the merchandise. If our inspection verifies the defect, we will either repair or replace the product at our election or we may elect to refund the purchase price if we cannot readily and quickly provide you with a replacement. We will return repaired products at our expense, but if we determine there is no defect, or that the defect resulted from causes not within the scope of our warranty, then you must bear the cost of returning the product.

This warranty gives you specific legal rights and you may also have other rights which vary from state to state.

3491 Mission Oaks Blvd. • PO Box 6009 • Camarillo, CA 93011 • (800) 444-3353